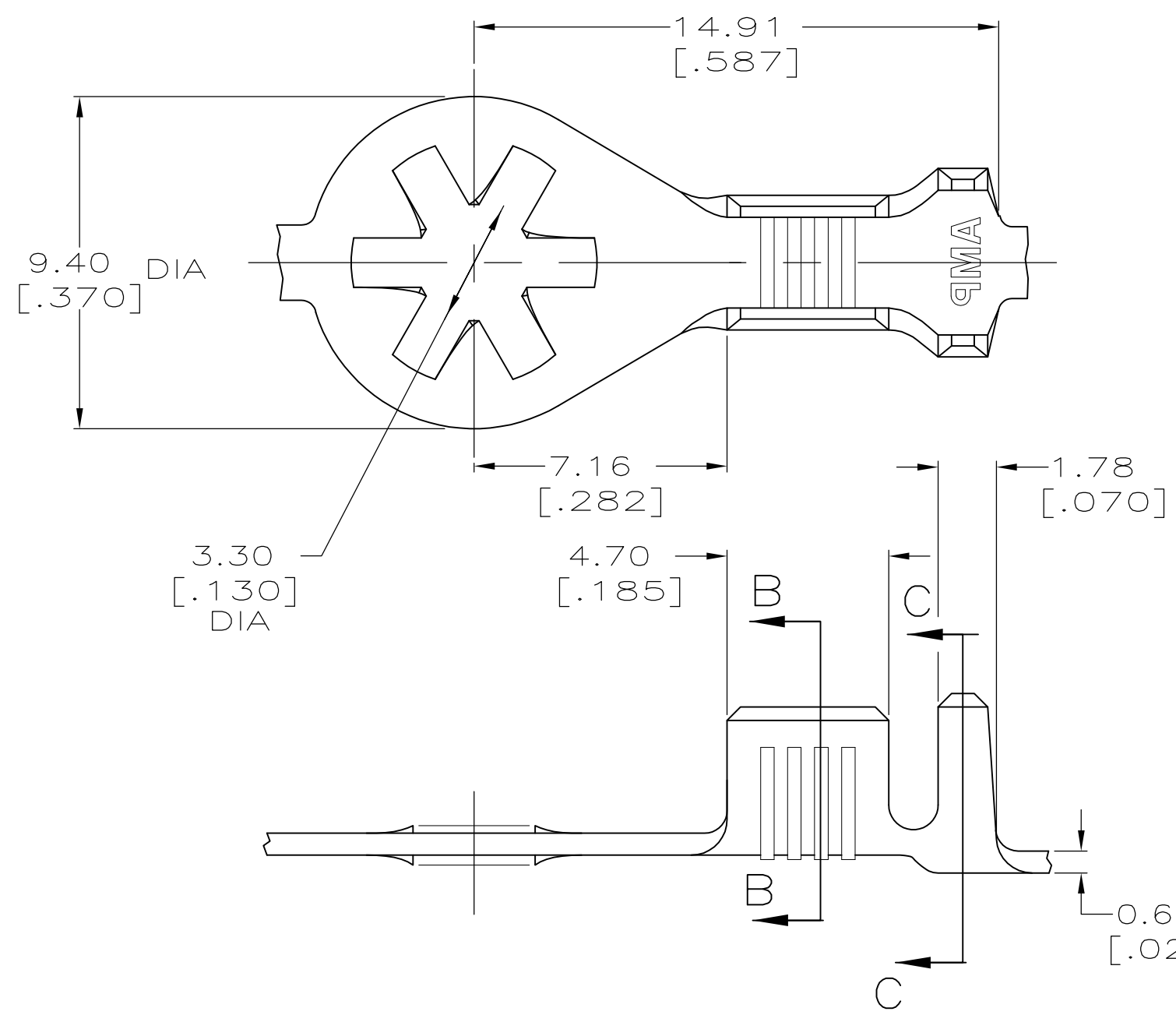
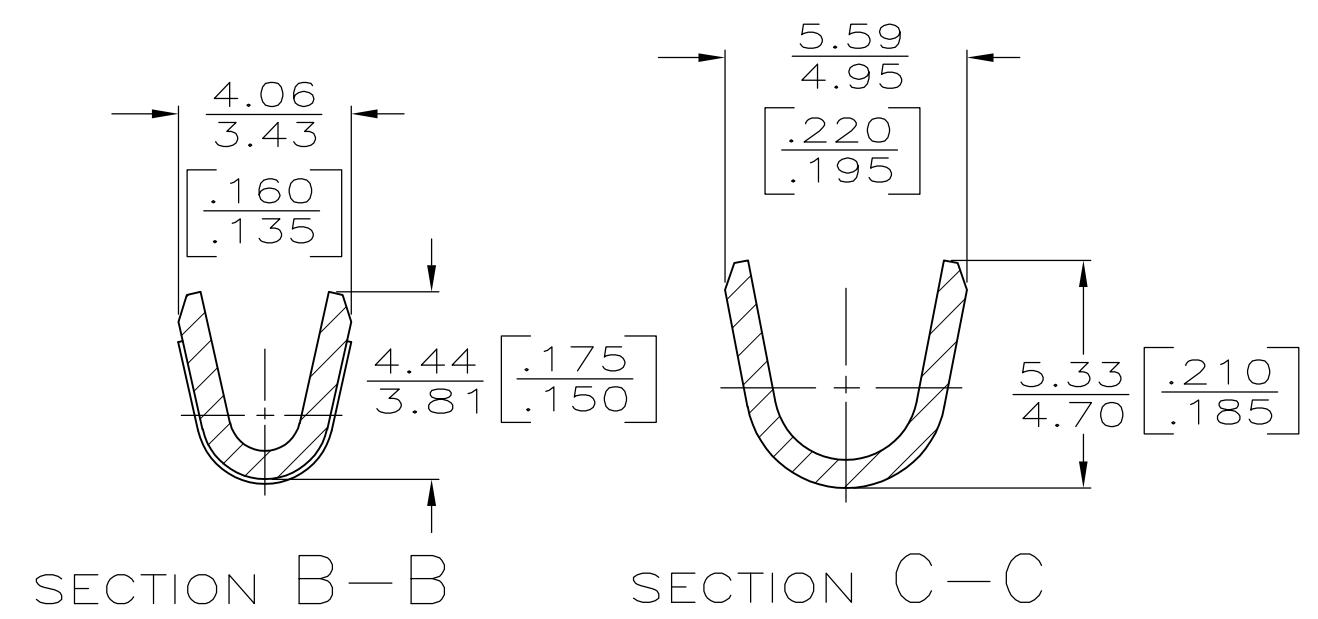


THIS DRAWING IS UNPUBLISHED. RELEASED FOR PUBLICATION
 © COPYRIGHT - BY TYCO ELECTRONICS CORPORATION. ALL RIGHTS RESERVED.

LOC	DIST	REVISIONS					
AF	50	P	LTR	DESCRIPTION	DATE	DWN	APVD
			B	REVISED PER ECR-07-014127	26SEP07	HMR	DD



1 CONTINUOUS STRIP ON REEL.



0.635±0.025
 [.025±.001]

2.67-3.68 DIA [.105-.145]	0.8 - 2.0mm ² [18-14] AWG	63640-1
INSULATION RANGE	WIRE RANGE	PART NO

F OR O	4.57 [.180]	6.35 [.250]	F	3.30 [.130]	2.18 [.086]	2.0mm ² [14]
					1.98 [.078]	1.3mm ² [16]
					1.85 [.073]	0.8mm ² [18]
TYPE	WIDTH	STRIP LENGTH ±0.38 [±.015]	TYPE	WIDTH	±0.051 [±.002] HEIGHT	WIRE
INSUL BARREL CRIMP			WIRE BARREL CRIMP			

THIS DRAWING IS A CONTROLLED DOCUMENT.

DIMENSIONS: INCHES

TOLERANCES UNLESS OTHERWISE SPECIFIED:

0 PLC	± -
1 PLC	± -
2 PLC	± 0.25 [.010]
3 PLC	± -
4 PLC	± -
ANGLES	± -

MATERIAL: T2 STEEL

FINISH: 0.002032 [.000080] MIN TIN PL PER MIL-T-10727

DWN P FORTNEY 2/12/92	Tyco Electronics Corporation Harrisburg, PA 17105-3608	NAME	RING			
CHK JR RUTH 2/12/92		SIZE	A3	CAGE CODE	00779	
APVD G YETTER 2/12/92		DRAWING NO	C-63640		RESTRICTED TO	-
PRODUCT SPEC		APPLICATION SPEC	WEIGHT	-	CUSTOMER DRAWING	SCALE 6:1
					SHEET 1 OF 1	
					REV B	